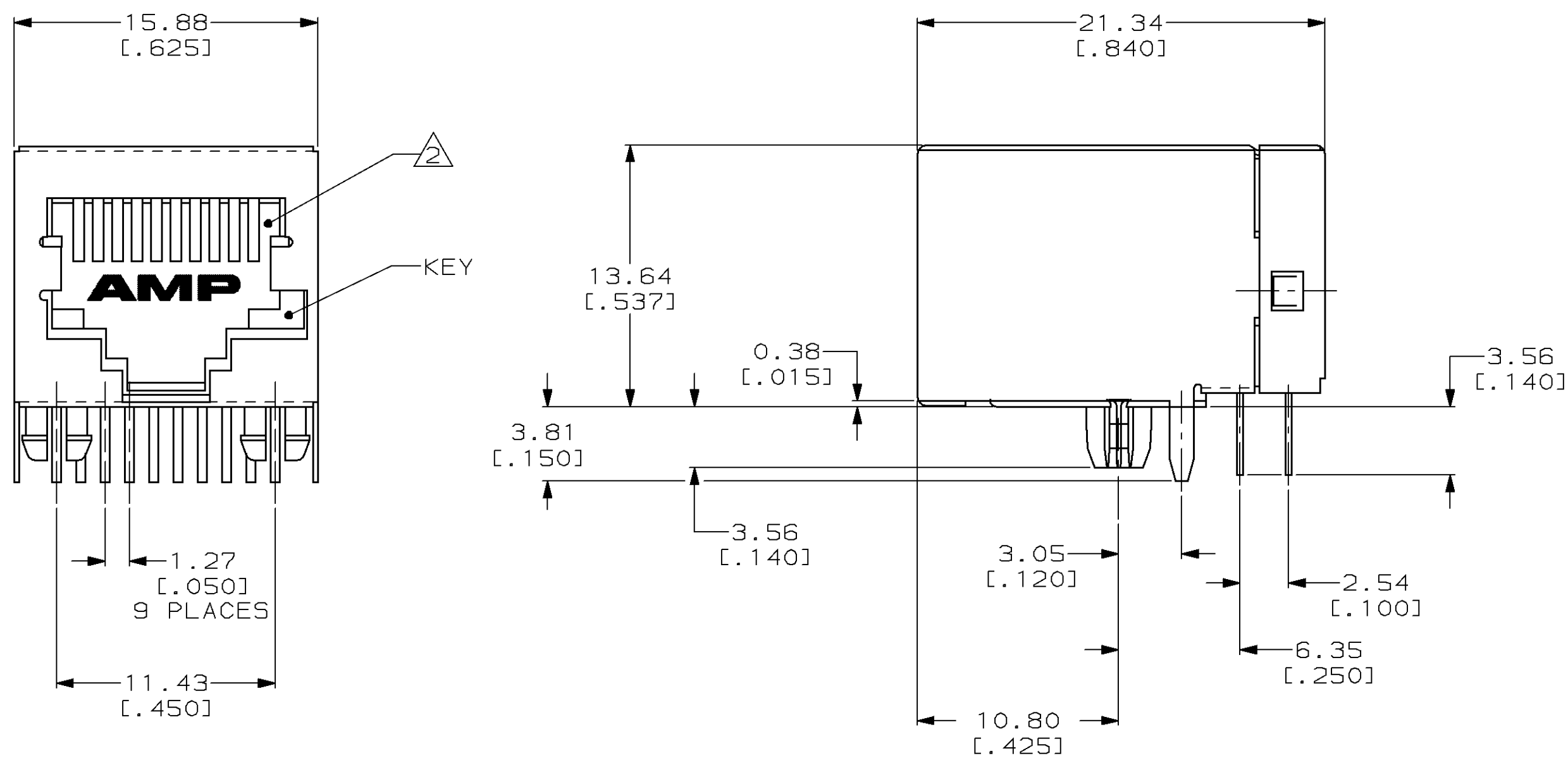


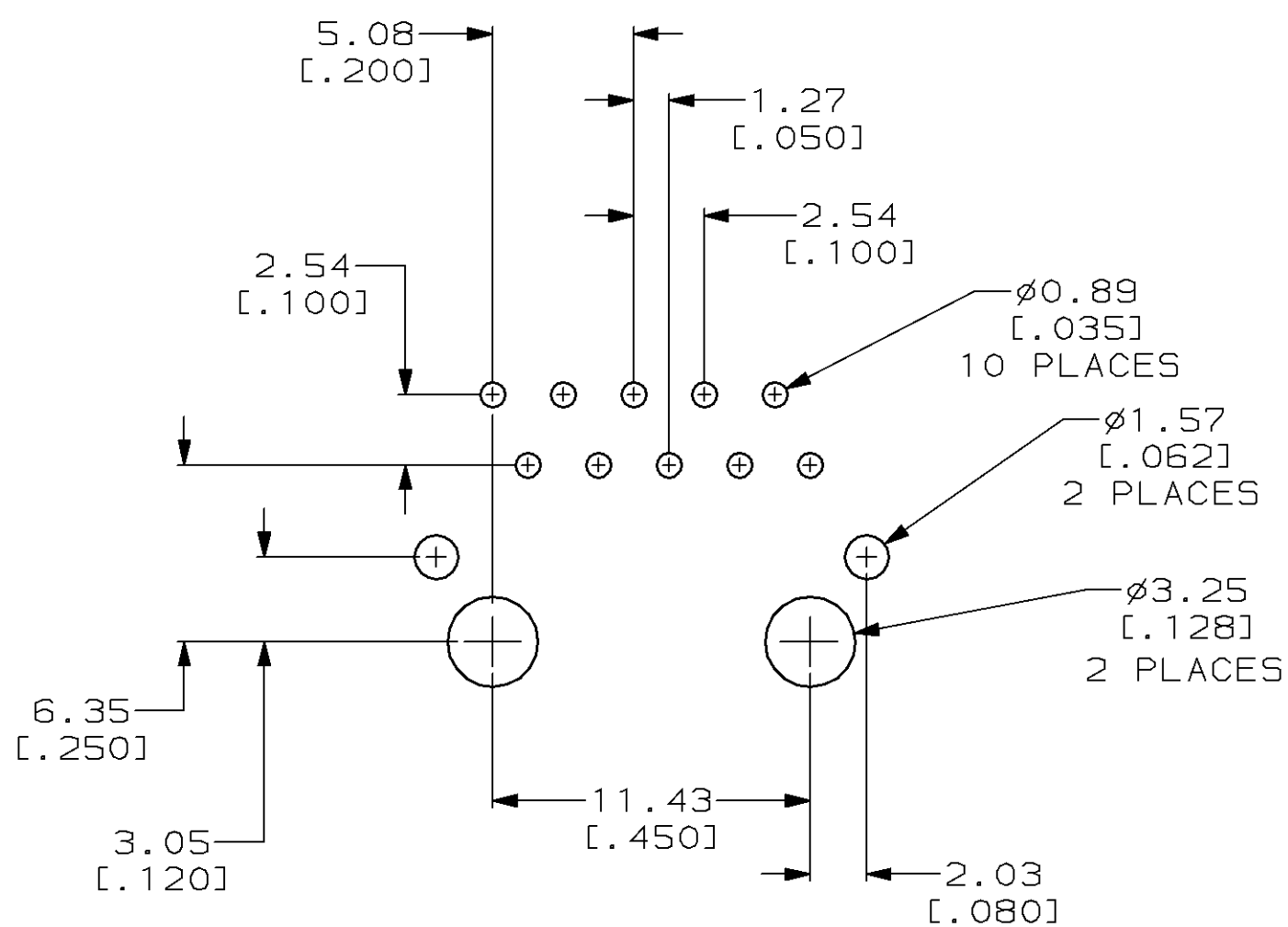
LOC		DIST		REVISIONS				
AA	22	P	F	ZONE	LTR	DESCRIPTION	DATE	APPD
				A		REV; EC 0210-0791-95	06MAY96	DS JT



1 MATERIALS:
 HOUSING-PCT POLYESTER, BLACK, IR
 REFLOW COMPATIBLE, UL 94V-0.
 TERMINALS 0.33 [.013] THICK PHOS
 BRONZE PLATED WITH 1.27µm [.000050]
 HARD GOLD IN LOCALIZED AREA AND 3.81µm
 [.000150] THICK TIN-LEAD IN SOLDER
 AREA OVER 1.27µm [.000050] MINIMUM
 THICK NICKEL UNDERPLATE.
 SHIELD-0.25 [.010] THICK COPPER ALLOY
 PLATED WITH 2.03µm [.000080] MINIMUM
 TIN-LEAD OVER 2.54µm [.000100] MINIMUM
 COPPER.

2 JACK CAVITY CONFORMS TO FCC RULES AND
 REGULATIONS, PART 68 SUBPART F.

3. DIMENSIONS ARE NOMINAL UNLESS OTHER-
 WISE SPECIFIED.



SUGGESTED PC BOARD LAYOUT
 VIEW SHOWN IS TOP (COMPONENT SIDE) OF PC BOARD

THIS DRAWING IS A CONTROLLED DOCUMENT FOR
 AMP INCORPORATED. IT IS SUBJECT TO CHANGE
 AND THE CONTROLLING ENGINEERING ORGANIZATION
 SHOULD BE CONTACTED FOR THE LATEST REVISION.

DO NOT SCALE PRINT. UNLESS SPECIFIED DIMENSIONS IN mm [INCHES] TOLERANCES ON : 2 PLC DEC ± - 3 PLC DEC ± 0.13 [.005] ANGLES ± -		DR 7-21-93 S.MAYBERRY		AMP Incorporated Harrisburg, PA 17105-3608	
MATERIAL		CHK 8-3-93 B.FOX			
FINISH		APPD 8-3-93 G.REED		NAME MODULAR JACK ASSEMBLY, 10 POSITION, KEYED, SIDE ENTRY, LOW PROFILE, FULLY SHIELDED, PRINTED CIRCUIT GROUND	
1 1		APPD 8-3-93 M.MILLER		PRODUCT SPEC -	
WEIGHT -		APPLICATION SPEC -		SIZE C	CAGE CODE 00779
				DRAWING NO G=558068	SHEET 1 OF 1